

# Wireless TEMP<sup>®</sup>



## Solution Finder

Remote Control | Monitoring | Visualization | Documentation



To find the right, perfect *WirelessTEMP* application solution for your requirements, answer the following four questions when planning your application.

- Question ①** How many JULABO instruments will be networked? (max. 1 / max. 2 / max. 4 / max. 8)
- Question ②** Which type of interface do my JULABO instruments feature? (RS232 / Ethernet)
- Question ③** How is the connection set-up? (via WLAN / partially via WLAN / via LAN)
- Question ④** Do I require an ATEX solution? (Yes / No)

After answering these questions, the overview on page 3 will lead you to the right *WirelessTEMP* application solution.

More information on *WirelessTEMP* application solutions can be found at [www.julabo.com](http://www.julabo.com).

We gladly support you in the planning of the connection of your JULABO instruments. +49 (0) 7823 51-190




Tip

**EasyTEMP**

Download the basic software **EasyTEMP** free of charge at [www.julabo.com](http://www.julabo.com)!

# Overview *WirelessTEMP* application solutions

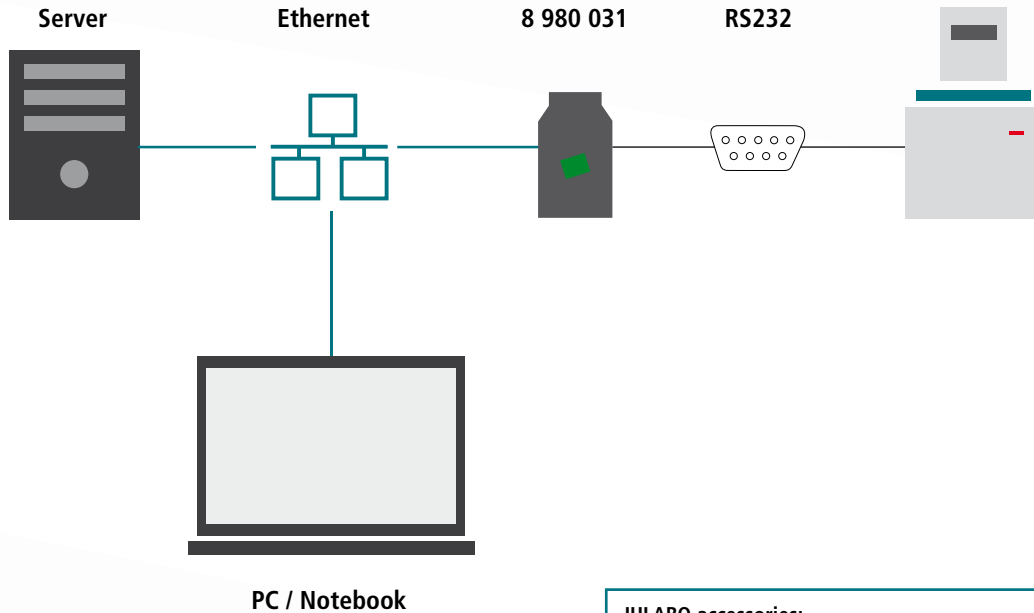
①								②		③		④	JULABO <i>WirelessTEMP</i> accessories						Solution
Number of JULABO instruments								Interface of JULABO instruments		Network connection		ATEX	8980031	8980032	8980033	8980034	8980035	8980036	see page
1	2	3	4	5	6	7	8	RS232	Ethernet	WLAN	LAN								
•								•			•		•						4
•	•	•	•					•			•			•					5
•	•	•	•	•	•	•	•	•			•				•				6
•	•	•	•	•	•	•	•	•		•	•				•				7
•								•		•						•			8
•	•							•		•							•		9
•	•	•	•					•		•							•		10
•	•	•	•	•	•	•	•	•		•							•		11
•								•		•		•			•			•	12
•	•							•		•		•					•	•	13
•	•	•	•					•		•		•					•	•	14
•	•	•	•	•	•	•	•	•		•		•					•	•	15
•	•	•	•	•	•	•	•	•		•	•	•			•			•	16
•	•							•		•		•					•	•	17
•	•	•	•	•	•	•	•		•		•								18
•	•	•	•	•	•	•	•		•		•								19
•	•	•	•	•	•	•	•		•	•	•								20
•	•	•	•	•	•	•	•		•	•	•								21
•	•	•	•	•	•	•	•		•	•	•	•						•	22
•	•	•	•	•	•	•	•		•	•	•	•						•	23

- max. 1 instrument
- max. 2 instruments
- max. 4 instruments
- max. 8 instruments

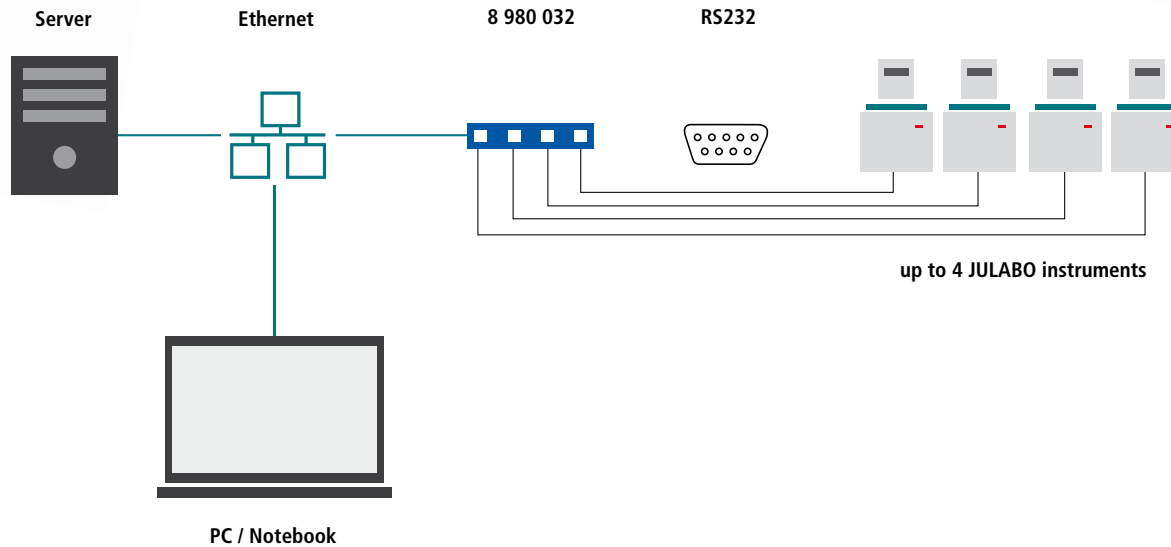
- RS232
- Ethernet

- WLAN
- LAN

- ATEX



**JULABO accessories:**  
1 x **8901102** EasyTEMP (free of charge download)  
1 x **8980031** Ethernet / RS232 interface converter  
2 x **8980071** RJ45 cable



max. 1 instrument

max. 2 instruments

max. 4 instruments

max. 8 instruments

RS232

Ethernet

WLAN

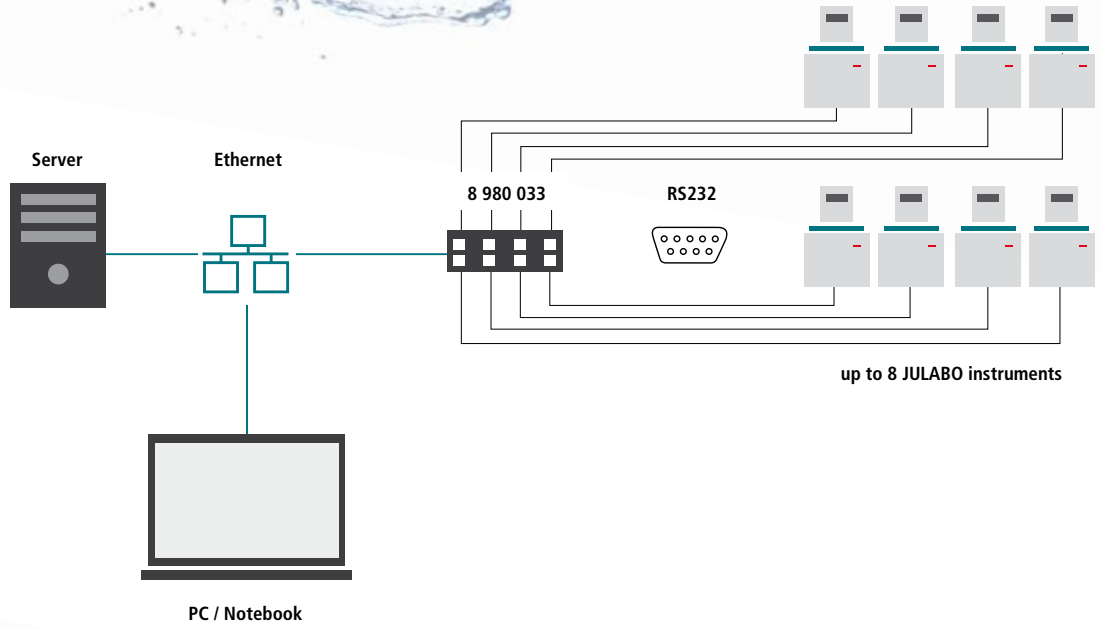
LAN

ATEX

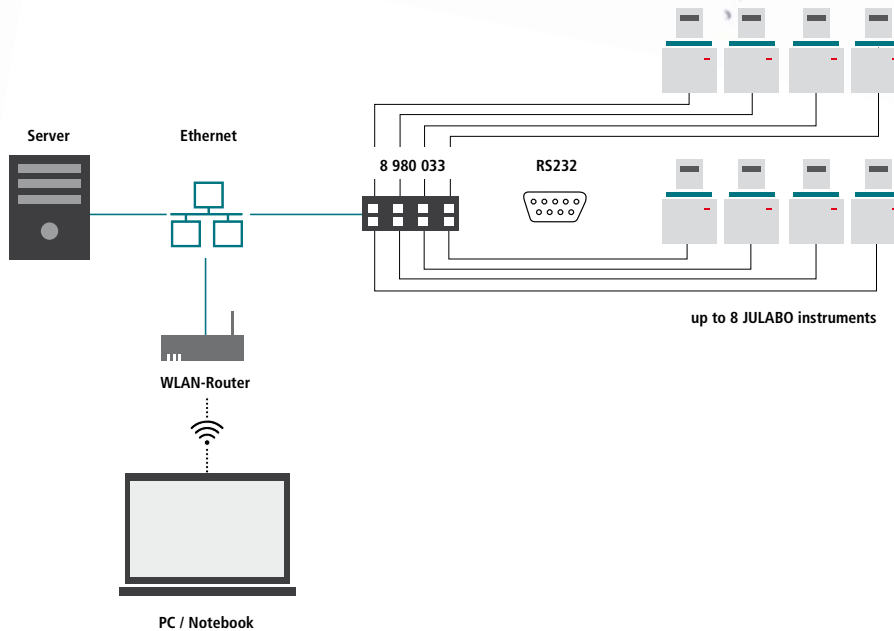
**JULABO accessories:**

- 1 x **8901105** *EasyTEMP Professional*
- 1 x **8980032** 4-Ethernet / RS232 converter
- max. 4 x **8980074** RS232 interface cable
- 1 x **8980071** RJ45 cable

- max. 1 instrument
- max. 2 instruments
- max. 4 instruments
- max. 8 instruments
- RS232
- Ethernet
- WLAN
- LAN
- ATEX



**JULABO accessories:**  
1 x **8901105** EasyTEMP Professional  
1 x **8980033** 8-Ethernet / RS232 converter  
max. 8 x **8980074** RS232 interface cable  
1 x **8980071** RJ45 cable



max. 1 instrument

max. 2 instruments

max. 4 instruments

max. 8 instruments

RS232

Ethernet

WLAN

LAN

ATEX

**JULABO accessories:**

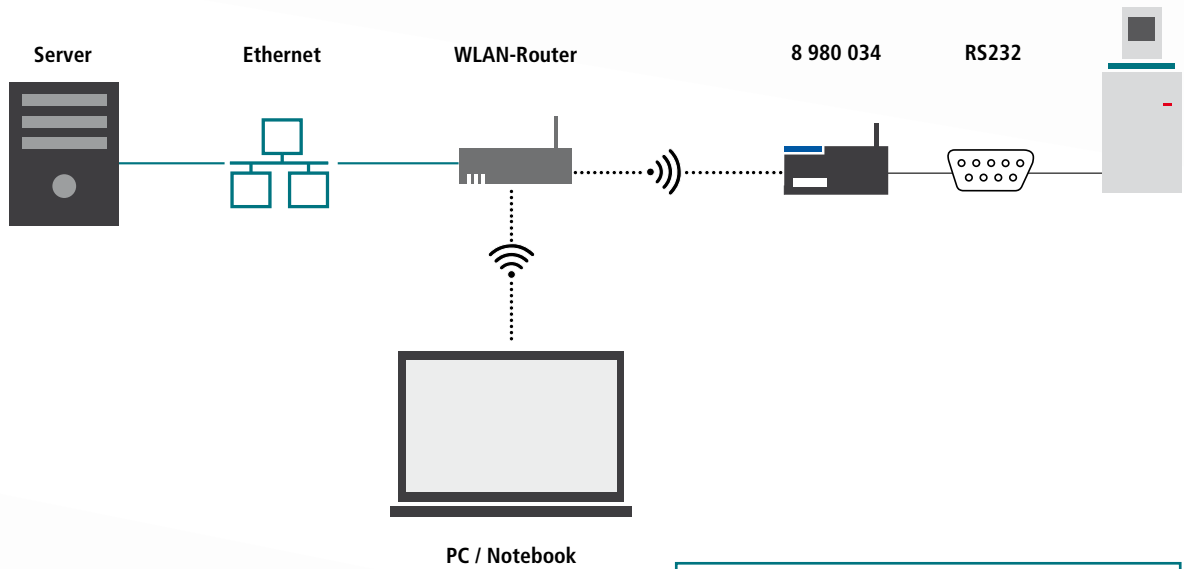
- 1 x **8901105** *EasyTEMP Professional*
- 1 x **8980033** 8-Ethernet / RS232 converter
- max. 8 x **8980074** RS232 interface cable
- 1 x **8980071** RJ45 cable

- max. 1 instrument
- max. 2 instruments
- max. 4 instruments
- max. 8 instruments

- RS232
- Ethernet

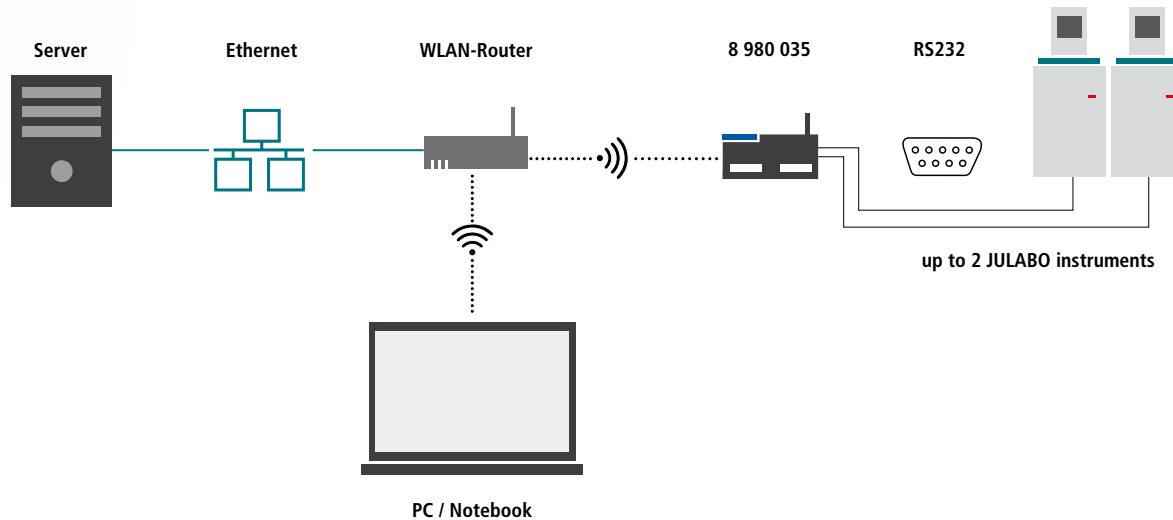
- WLAN
- LAN

- ATEX



- JULABO accessories:**
- 1 x **8901102** EasyTEMP (free of charge download)
  - 1 x **8980034** WLAN / RS232 converter
  - 1 x **8980074** RS232 interface cable





max. 1 instrument

max. 2 instruments

max. 4 instruments

max. 8 instruments

RS232

Ethernet

WLAN

LAN

ATEX

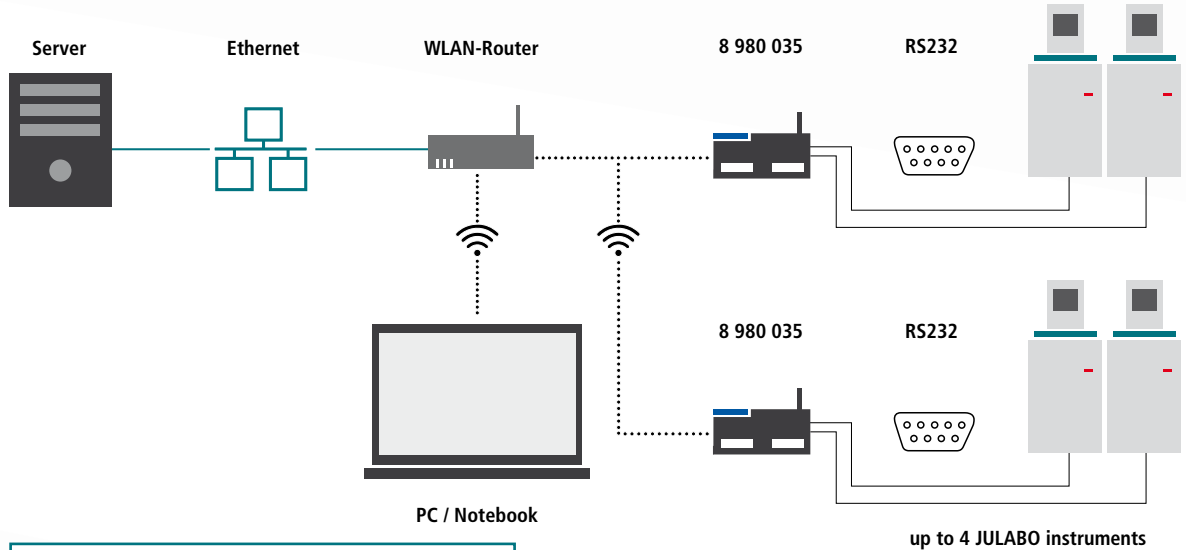
**JULABO accessories:**

1 x **8901105** EasyTEMP Professional

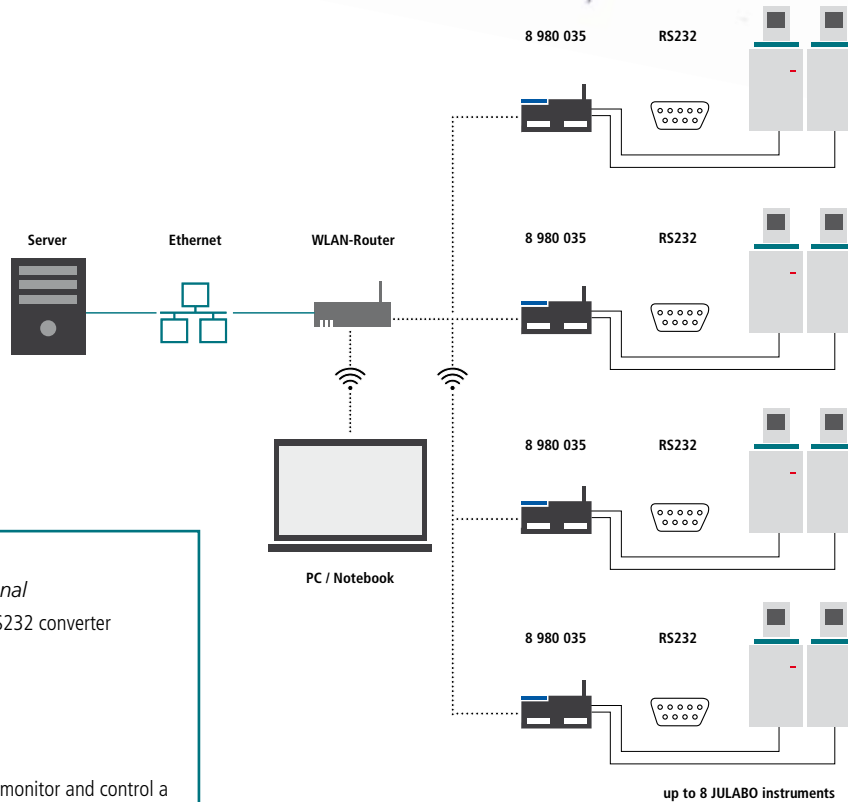
1 x **8980035** 2 channel WLAN / RS232 converter

2 x **8980074** RS232 interface cable

- max. 1 instrument
  - max. 2 instruments
  - max. 4 instruments**
  - max. 8 instruments
- RS232**
  - Ethernet
- WLAN**
  - LAN
- ATEX



**JULABO accessories:**  
 1 x **8901105** EasyTEMP Professional  
 n/2 x **8980035** 2 channel WLAN / RS232 converter  
 n x **8980074** RS232 interface cable  
  
 n = number of instruments



**JULABO accessories:**

1 x **8901105** *EasyTEMP Professional*

n/2 x **8980035** 2 channel WLAN / RS232 converter

n x **8980074** RS232 interface cable

n = number of instruments

Note: *EasyTEMP Professional* can monitor and control a maximum of 8 JULABO instruments.

- max. 1 instrument
- max. 2 instruments
- max. 4 instruments
- max. 8 instruments

RS232

Ethernet

WLAN

LAN

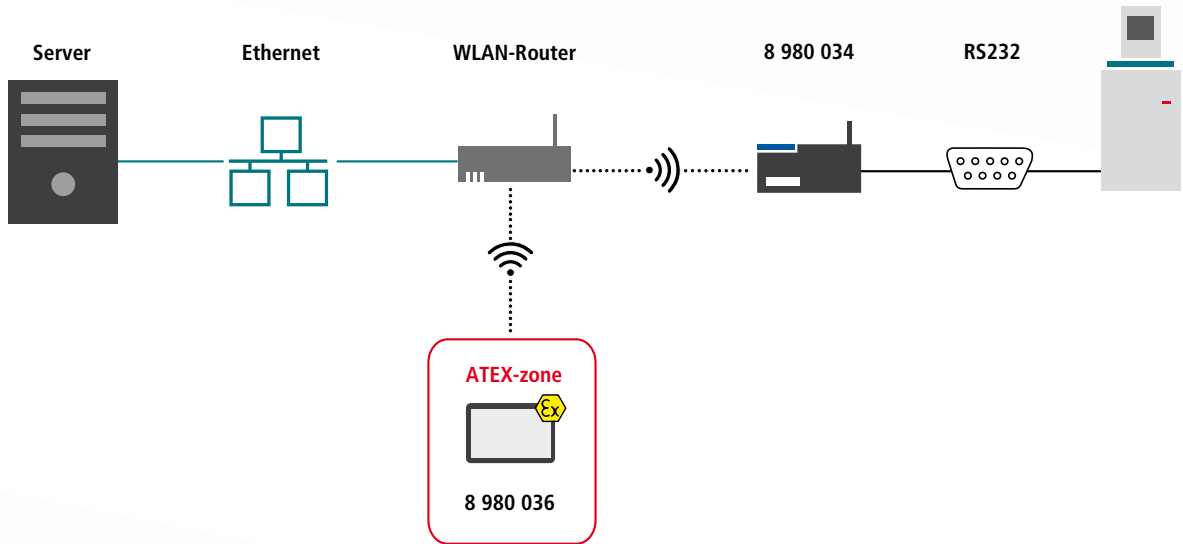
ATEX

- max. 1 instrument
- max. 2 instruments
- max. 4 instruments
- max. 8 instruments

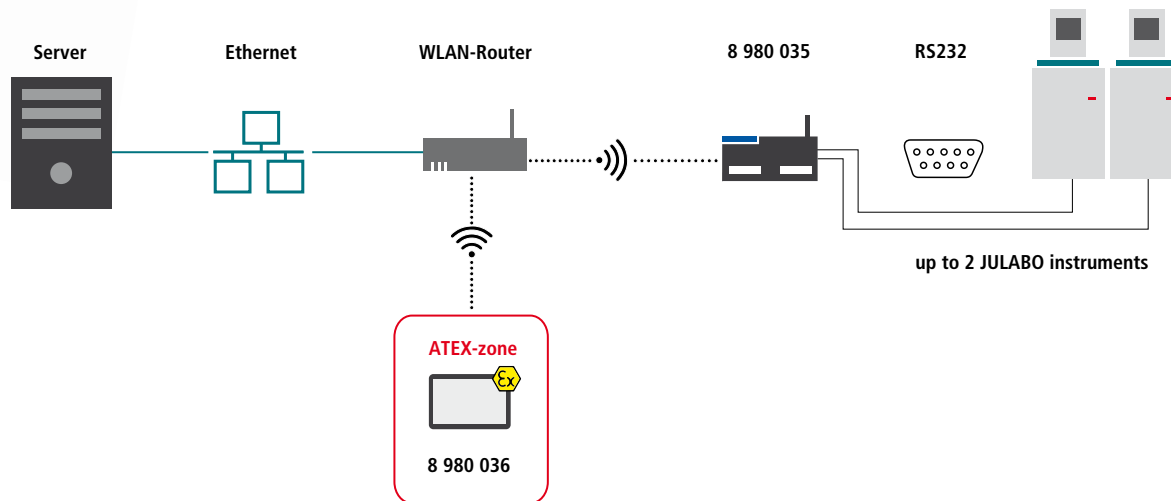
- RS232
- Ethernet

- WLAN
- LAN

- ATEX 



- JULABO accessories:**
- 1 x 8901102 EasyTEMP (free of charge download)
  - 1 x 8980036 ATEX Tablet Agile X
  - 1 x 8980034 WLAN / RS232 converter
  - 1 x 8980074 RS232 interface cable



max. 1 instrument

max. 2 instruments

max. 4 instruments

max. 8 instruments

RS232

Ethernet

WLAN

LAN

ATEX



**JULABO accessories:**

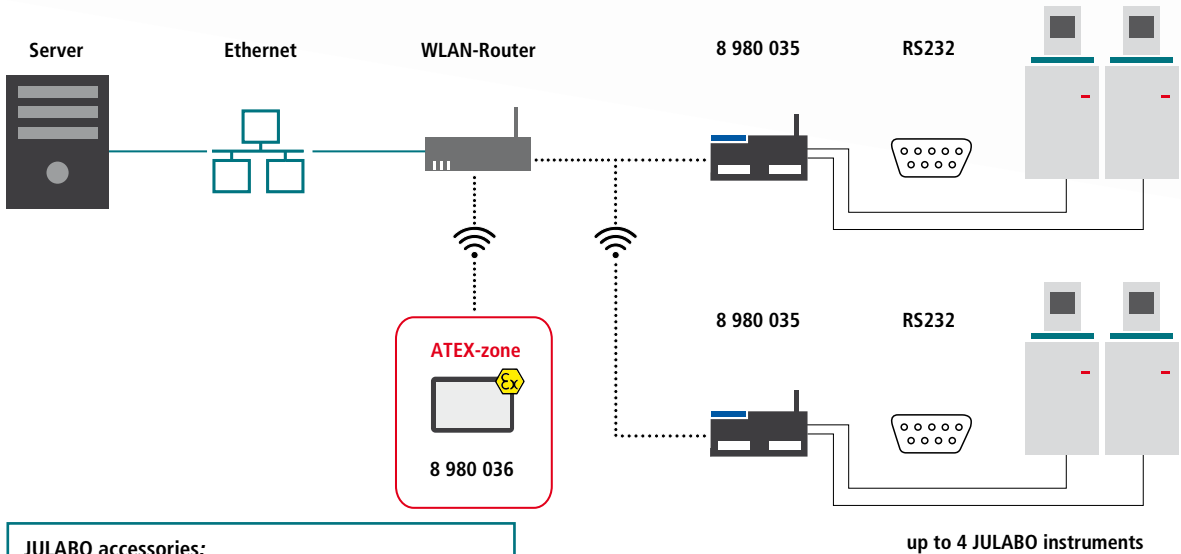
- 1 x **8901105** EasyTEMP Professional
- 1 x **8980036** ATEX Tablet Agile X
- 1 x **8980035** 2 channel WLAN / RS232 converter
- 2 x **8980074** RS232 interface cable

- max. 1 instrument
- max. 2 instruments
- max. 4 instruments
- max. 8 instruments

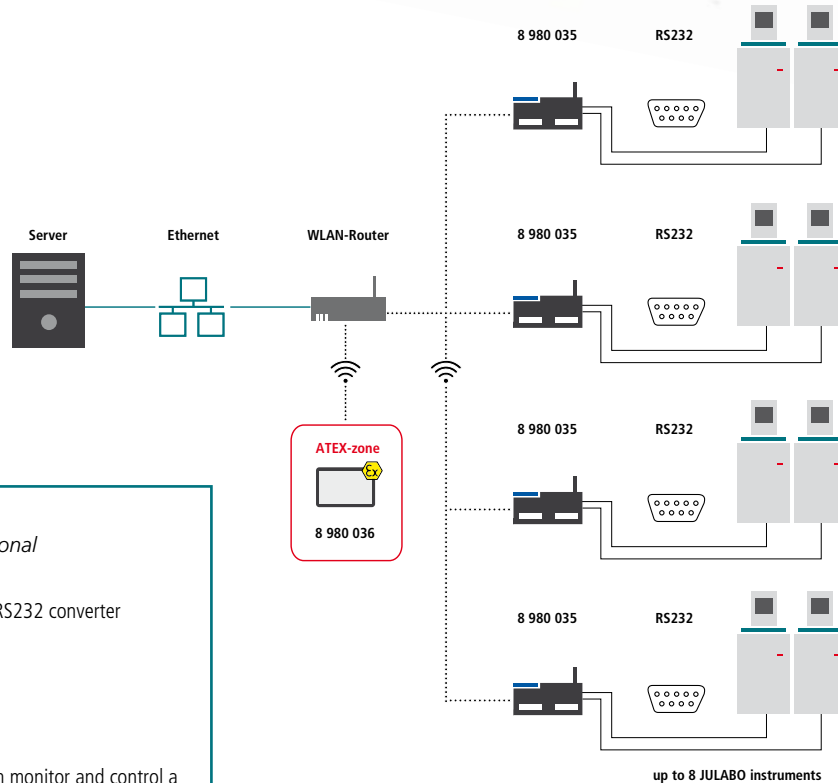
- RS232
- Ethernet

- WLAN
- LAN

- ATEX 



**JULABO accessories:**  
 1 x **8901105** EasyTEMP Professional  
 1 x **8980036** ATEX Tablet Agile X  
 n/2 x **8980035** 2 channel WLAN / RS232 converter  
 n x **8980074** RS232 interface cable  
 n = number of instruments



max. 1 instrument

max. 2 instruments

max. 4 instruments

max. 8 instruments

RS232

Ethernet

WLAN

LAN

ATEX



**JULABO accessories:**

1 x **8901105** *EasyTEMP Professional*


1 x **8980036** ATEX Tablet Agile X

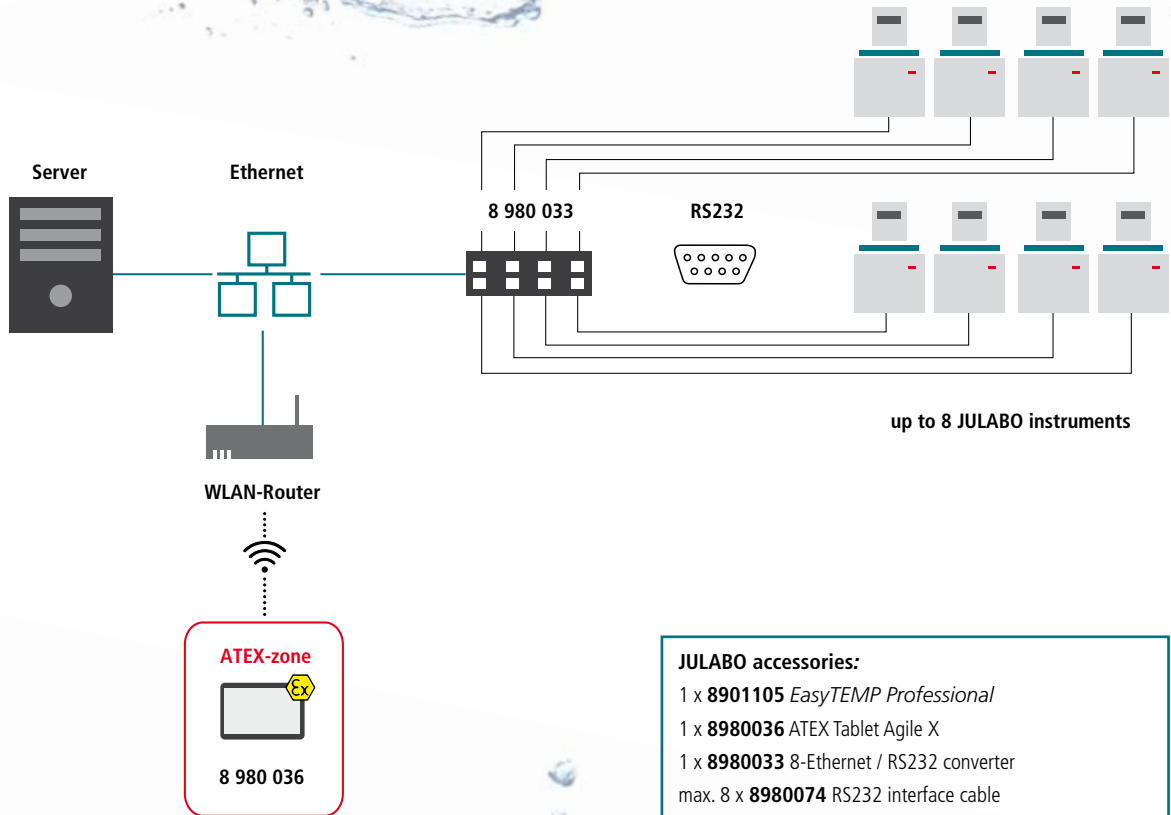
n/2 x **8980035** 2 channel WLAN / RS232 converter

n x **8980074** RS232 interface cable

n = number of instruments

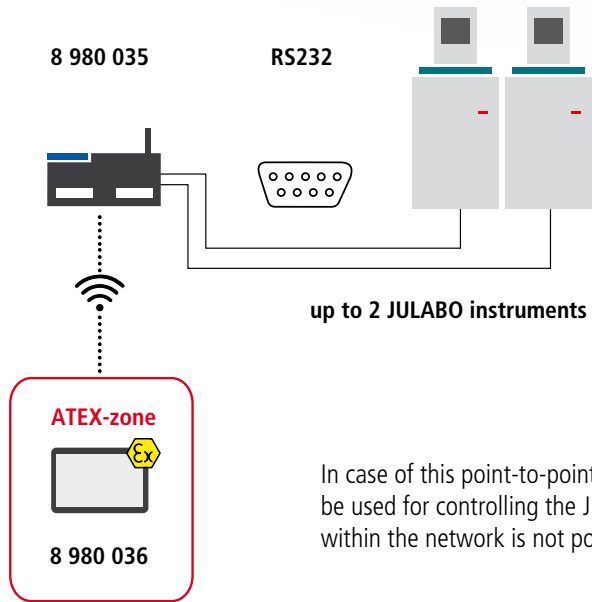
Note: *EasyTEMP Professional* can monitor and control a maximum of 8 JULABO instruments.

- max. 1 instrument
- max. 2 instruments
- max. 4 instruments
- max. 8 instruments
- RS232
- Ethernet
- WLAN
- LAN
- ATEX 



- JULABO accessories:**
- 1 x **8901105** EasyTEMP Professional
  - 1 x **8980036** ATEX Tablet Agile X
  - 1 x **8980033** 8-Ethernet / RS232 converter
  - max. 8 x **8980074** RS232 interface cable
  - 1 x **8980071** RJ45 cable





In case of this point-to-point connection, the tablet can only be used for controlling the JULABO units. Additional use within the network is not possible.

**JULABO accessories:**

- 1 x **8901105** *EasyTEMP Professional*
- 1 x **8980036** ATEX Tablet Agile X
- 1 x **8980035** 2 channel WLAN / RS232 converter
- 2 x **8980074** RS232 interface cable

max. 1 instrument

max. 2 instruments

max. 4 instruments

max. 8 instruments

RS232

Ethernet

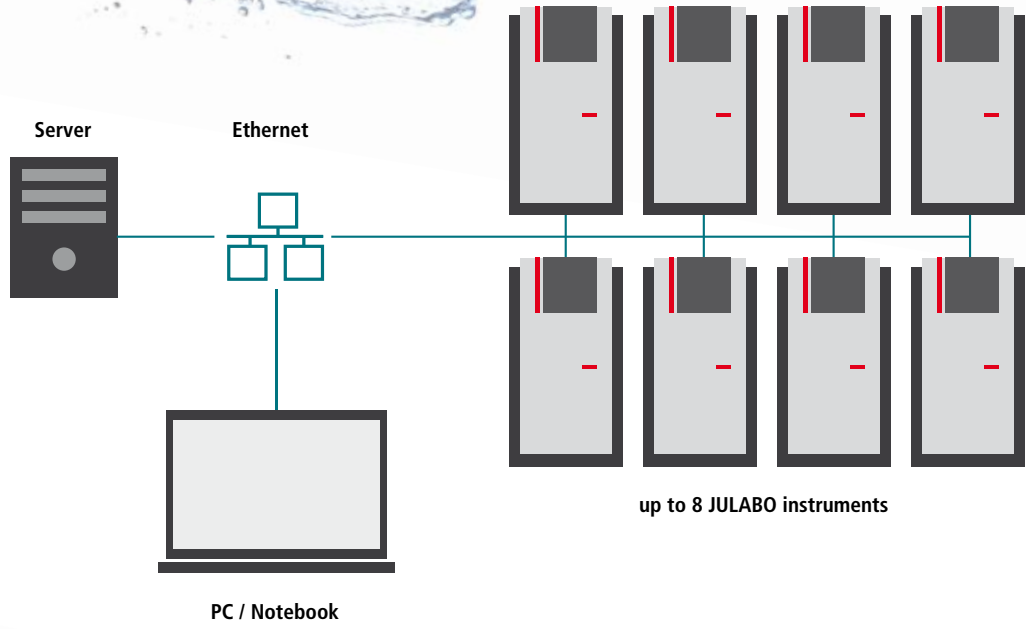
WLAN

LAN

ATEX



- max. 1 instrument
- max. 2 instruments
- max. 4 instruments
- max. 8 instruments**
- RS232
- Ethernet**
- WLAN
- LAN**
- ATEX



**JULABO accessories:**

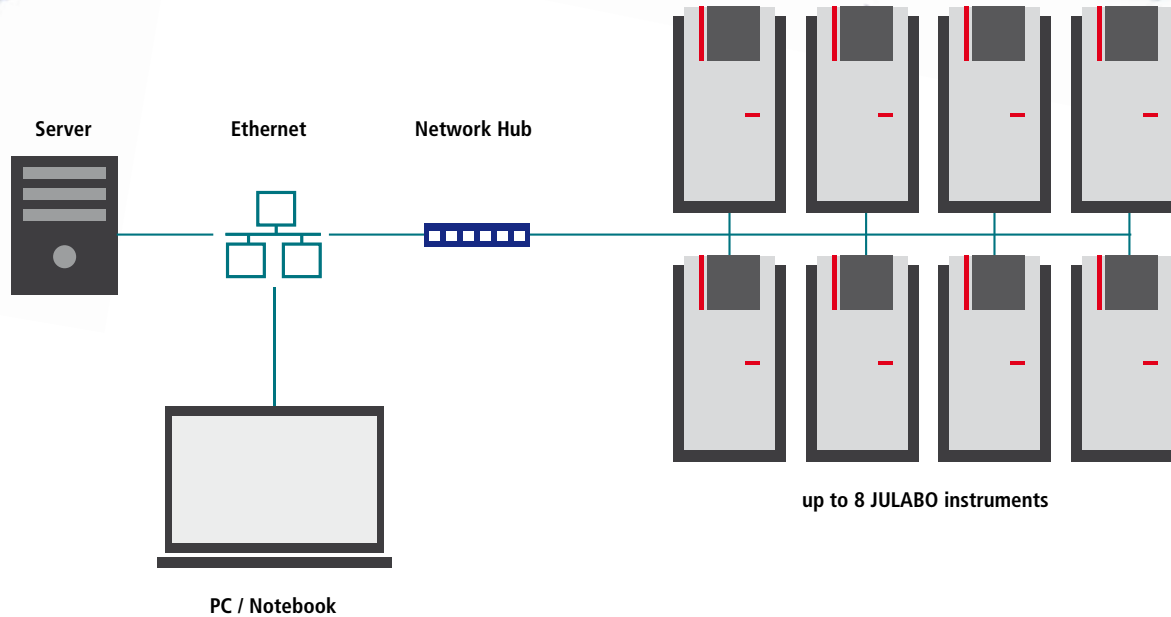
1 x **8901105** EasyTEMP Professional

n x **8980071** RJ45 cable

n = number of instruments

Note: *EasyTEMP Professional* can monitor and control a maximum of 8 JULABO instruments.

Alternatively Cerhost (Freeware) can be used for remote control. With Cerhost the PRESTO display is duplicated one-to-one on your PC or Notebook.



max. 1 instrument

max. 2 instruments

max. 4 instruments

max. 8 instruments

RS232

Ethernet

WLAN

LAN

ATEX

**JULABO accessories:**

1 x **8901105** EasyTEMP Professional

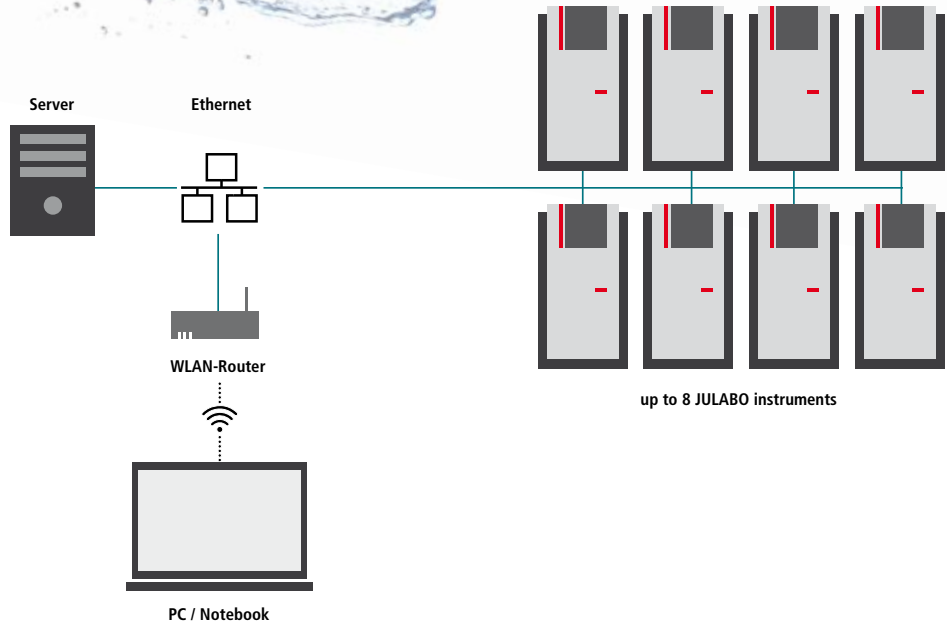
n x **8980071** RJ45 cable

n = number of instruments

Note: *EasyTEMP Professional* can monitor and control a maximum of 8 JULABO instruments.

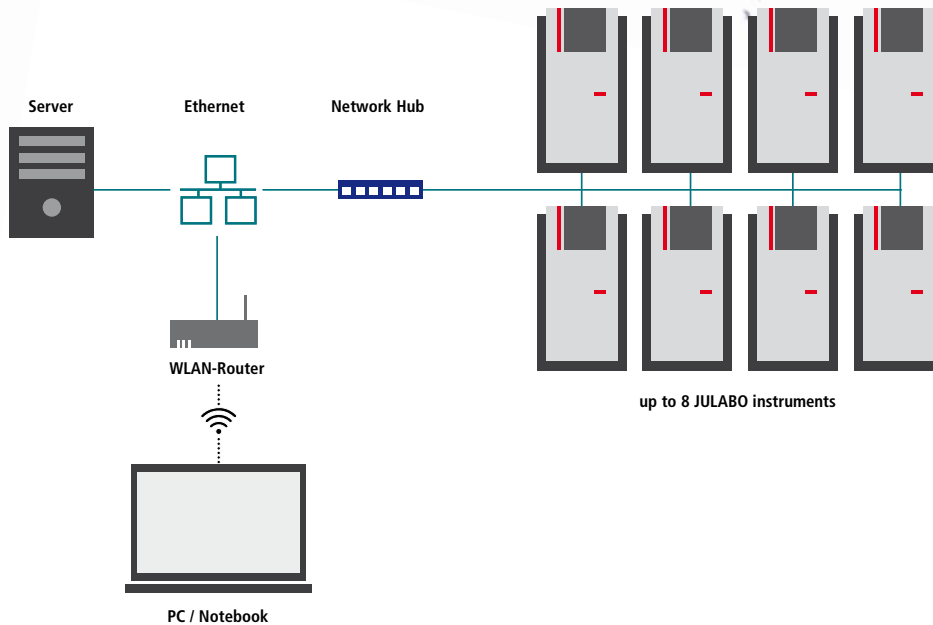
Alternatively Cerhost (Freeware) can be used for remote control. With Cerhost the PRESTO display is duplicated one-to-one on your PC or Notebook.

- max. 1 instrument
  - max. 2 instruments
  - max. 4 instruments
  - max. 8 instruments
- 
- RS232
  - Ethernet
  - WLAN
  - LAN
- 
- ATEX



**JULABO accessories:**  
 1 x **8901105** EasyTEMP Professional  
 n x **8980071** RJ45 cable  
 n = number of instruments

Note: *EasyTEMP Professional* can monitor and control a maximum of 8 JULABO instruments.  
 Alternatively Cerhost (Freeware) can be used for remote control. With Cerhost the PRESTO display is duplicated one-to-one on your PC or Notebook.



max. 1 instrument

max. 2 instruments

max. 4 instruments

max. 8 instruments

RS232

Ethernet

WLAN

LAN

ATEX

**JULABO accessories:**


1 x **8901105** *EasyTEMP Professional*

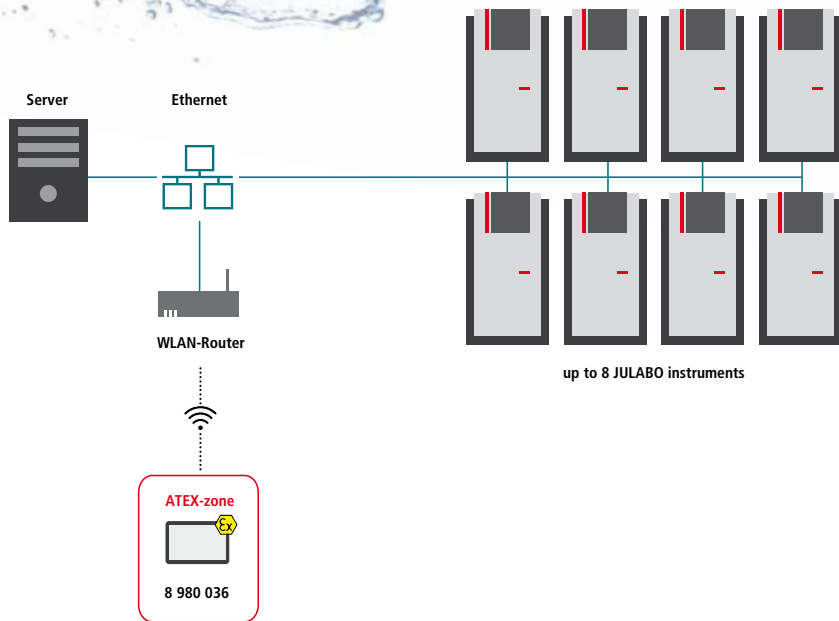
n x **8980071** RJ45 cable

n = number of instruments

Note: *EasyTEMP Professional* can monitor and control a maximum of 8 JULABO instruments.

Alternatively Cerhost (Freeware) can be used for remote control. With Cerhost the PRESTO display is duplicated one-to-one on your PC or Notebook.

- max. 1 instrument
  - max. 2 instruments
  - max. 4 instruments
  - max. 8 instruments
- 
- RS232
  - Ethernet
  - WLAN
  - LAN
  - ATEX 

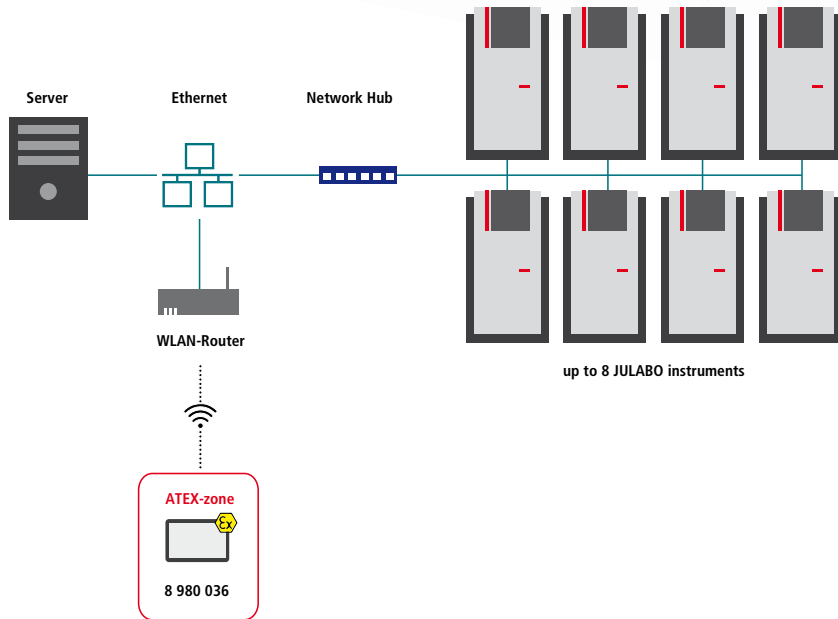


**JULABO accessories:**

- 1 x **8901105** *EasyTEMP Professional*
- 1 x **8980036** ATEX Tablet Agile X
- n x **8980071** RJ45 cable
- n = number of instruments

Note: *EasyTEMP Professional* can monitor and control a maximum of 8 JULABO instruments.

Alternatively Cerhost (Freeware) can be used for remote control. With Cerhost the PRESTO display is duplicated one-to-one on your PC or Notebook.



max. 1 instrument

max. 2 instruments

max. 4 instruments

max. 8 instruments

RS232

Ethernet

WLAN

LAN

ATEX



**JULABO accessories:**

1 x **8901105** *EasyTEMP Professional*

1 x **8980036** ATEX Tablet Agile X

n x **8980071** RJ45 cable

n = number of instruments

Note: *EasyTEMP Professional* can monitor and control a maximum of 8 JULABO instruments.

Alternatively Cerhost (Freeware) can be used for remote control. With Cerhost the PRESTO display is duplicated one-to-one on your PC or Notebook.

**GERMANY**  
Headquarters

**JULABO GmbH**  
Eisenbahnstraße 45  
77960 Seelbach  
Germany

Tel. +49 (0) 7823 51-0  
Fax +49 (0) 7823 24 91  
info.de@julabo.com  
www.julabo.com



**ITALY**  
JULABO Italia Srl.  
www.julaboitalia.it

**UK**  
JULABO UK, Ltd.  
www.julabo.com

**FRANCE**  
JULABO France  
www.julabo.com

**NETHERLANDS**  
JULABO Nederland B.V.  
www.julabo.com

**NORTH AMERICA**  
JULABO USA, Inc.  
www.julabo.com

**JAPAN**  
JULABO Japan Co., Ltd.  
www.julabo-japan.co.jp

**KOREA**  
JULABO Korea Co., Ltd.  
www.julabo-korea.co.kr

**CHINA**  
JULABO Technology (Beijing) Co., Ltd.  
www.julabo.com.cn

**LATIN AMERICA**  
JULABO Sudamérica  
www.julabo-latinamerica.com

**SINGAPORE**  
JULABO Singapore Pte., Ltd.  
www.julabo.com

**INDIA**  
JULABO India  
www.julabo.com

**Plus more than  
100 partner distributors  
worldwide**